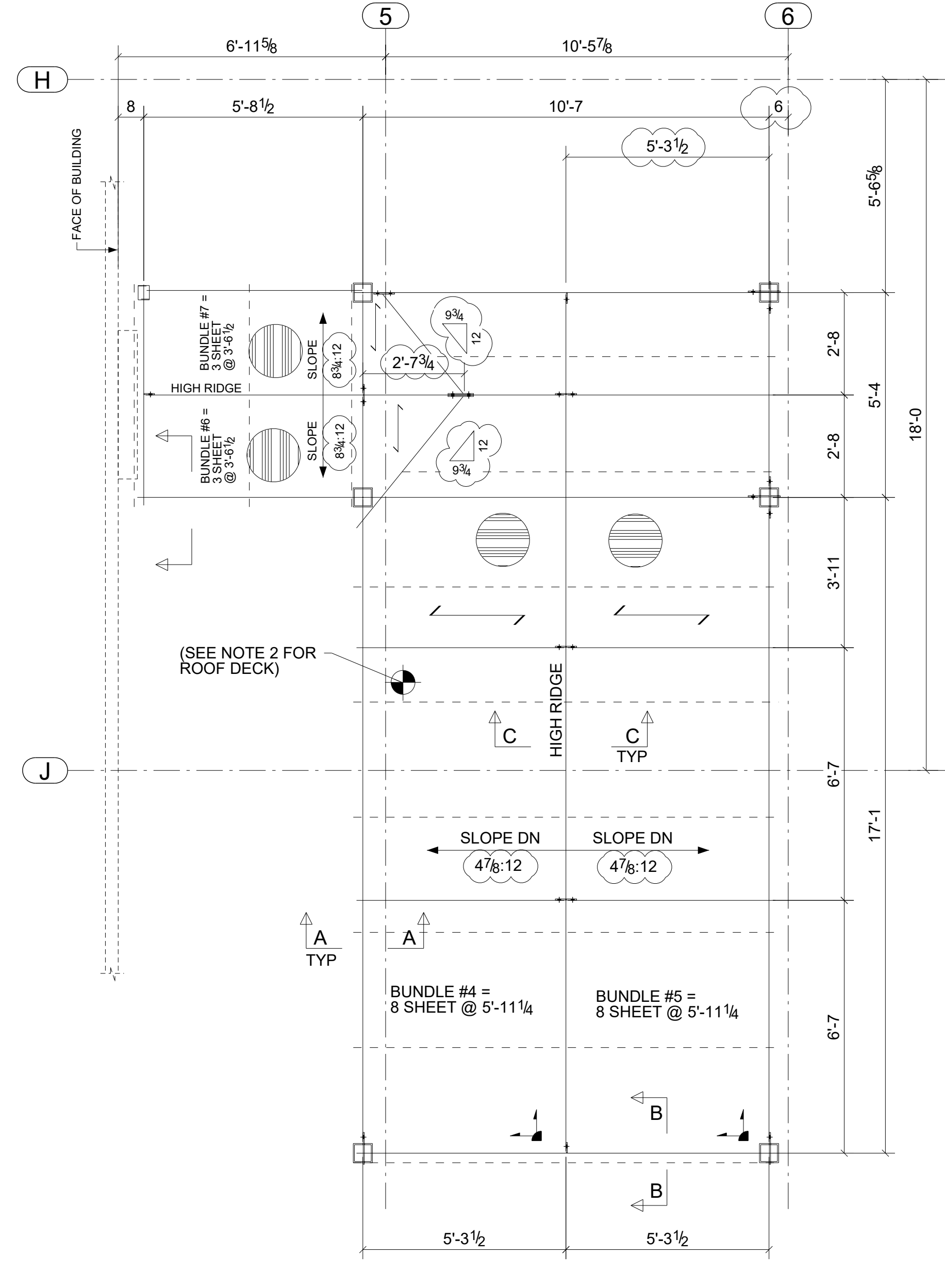


SECOND FLOOR DECK PLAN



ROOF DECK FRAMING PLAN

BILL OF MATERIAL (DECK SHEETS)				
SR. NO.	BUNDLE #	QTY	LENGTH	TYPE
1	BUNDLE #1	2	9'-5"	TYPE PLB VERCO PAINTED STEEL DECK, OR APPROVED EQUAL.
2	BUNDLE #2	1	4'-4"	
3	BUNDLE #3	2	16'-4"	
4	BUNDLE #4	8	5'-11 1/4"	TYPE PLB-36 VERCO OR APPROVED EQUAL.
5	BUNDLE #5	8	5'-11 1/4"	
6	BUNDLE #6	3	3'-6 1/2"	
7	BUNDLE #7	3	3'-6 1/2"	
8	CELL CLOSURE	3	10'-0"	

NOTES -

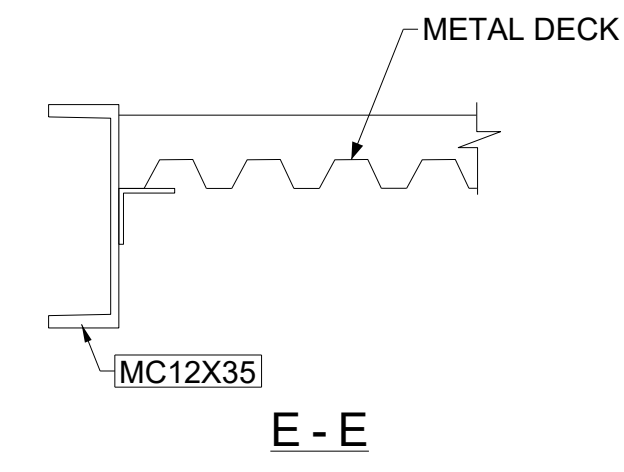
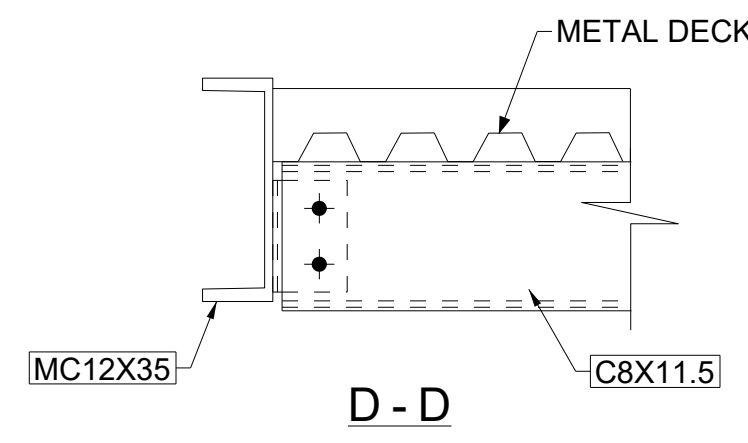
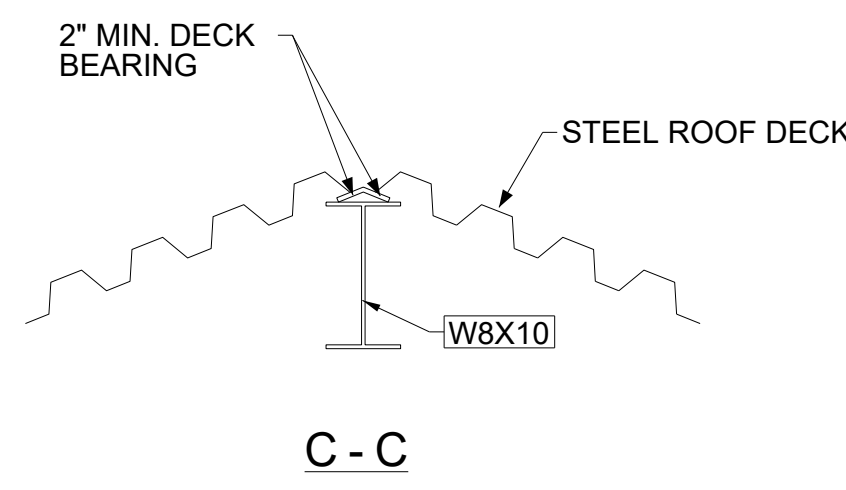
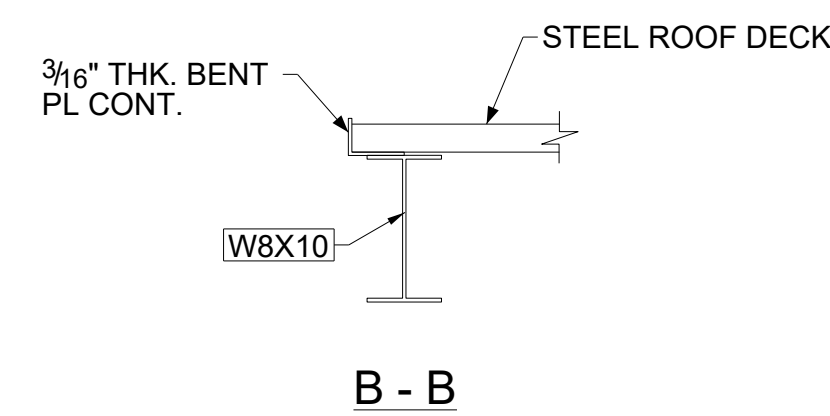
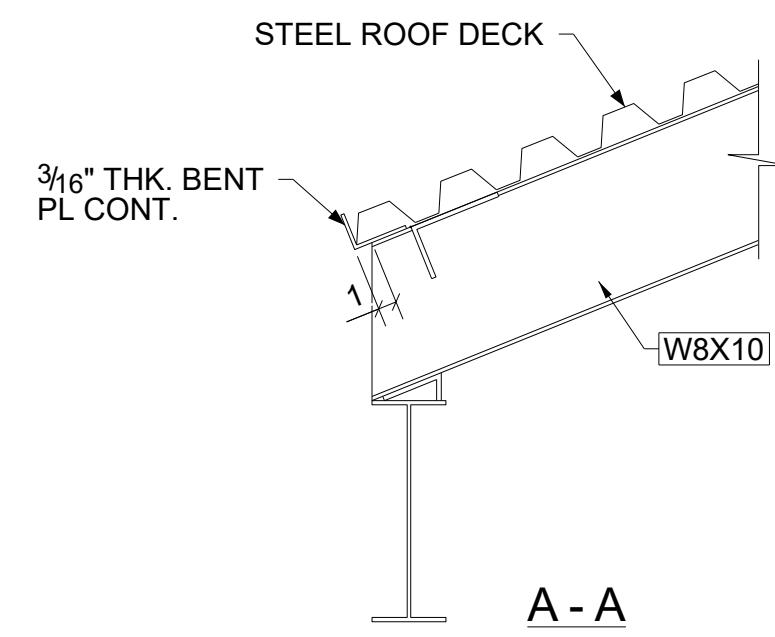
1) FLOOR SHALL BE 1 1/2" x 20 GA. TYPE PLB VERCO PAINTED STEEL DECK, OR APPROVED EQUAL. MUST HAVE CURRENT ICC REPORT. TOTAL THICKNESS = 3 1/2". REINFORCE CONCRETE WITH 6 x 6 - W2.0 x W2.0 WWF PLACED 1" CLEAR FROM TOP OF CONCRETE. WELD DECK USING 1/2" DIA. NET EFFECTIVE PUDDLE WELDS:

- a. PERPENDICULAR BEARINGS: 4 - WELDS PER SHEET, PER SUPPORT.
- b. PARALLEL BEARINGS AND EDGES: AT 12" O.C. SEAMS: BUTTON PUNCH SIDE SEAMS AT 12" O.C.

2) ROOF SHALL BE 1 1/2" x 20 GA. TYPE PLB-36 VERCO OR APPROVED EQUAL. MUST HAVE CURRENT ICC REPORT. ATTACH DECK USING HILTI X-ENP19 SHOTPINS PER ESR-2197.

- a. PERPENDICULAR BEARINGS: 5 SHOTPINS PER SHEET, PER SUPPORT.
- b. PARALLEL BEARINGS AND EDGES: 12" O.C.
- c. DO NOT HANG ANY LOADS FROM STEEL DECK.
- d. STEEL DECK SHALL BE ATTACHED TO ALL STEEL MEMBERS WITH WHICH IT COMES IN CONTACT.
- e. NO SINGLE SPANS. DOUBLE AND TRIPLE SPANS ONLY U.N.O. SIDE SEAMS: VSC2 SIDE LAPS AT 12" O.C., UNO ON PLANS.

IMPORTANT NOTICE TO THE APPROVER:
Please furnish all information and clarifications as noted and marked. Failure to do so, may cause delays in which PCIW Steel Corp will not be held responsible for.



FIELD CUT PANEL AS REQUIRED

GC TO VERIFY ALL CLOUDED DIMENSIONS & CONDITIONS.

DECK DETAILING SAMPLE - 3				
REVISIONS		ITEM		
NO	DESCRIPTION	DATE	JOB	
			ARCH	
			CONTR	
	DWN : VHS	DATE:	CHK'D: VHS	
	JOB NO.		DWG NO.	DE1