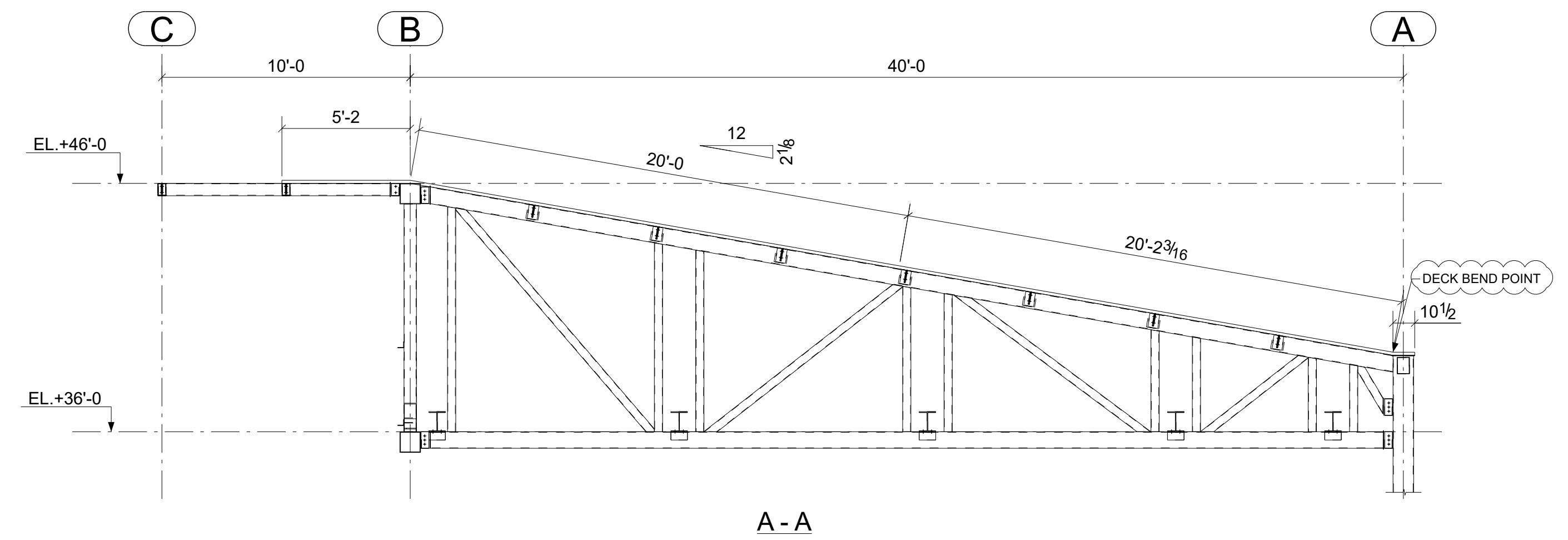
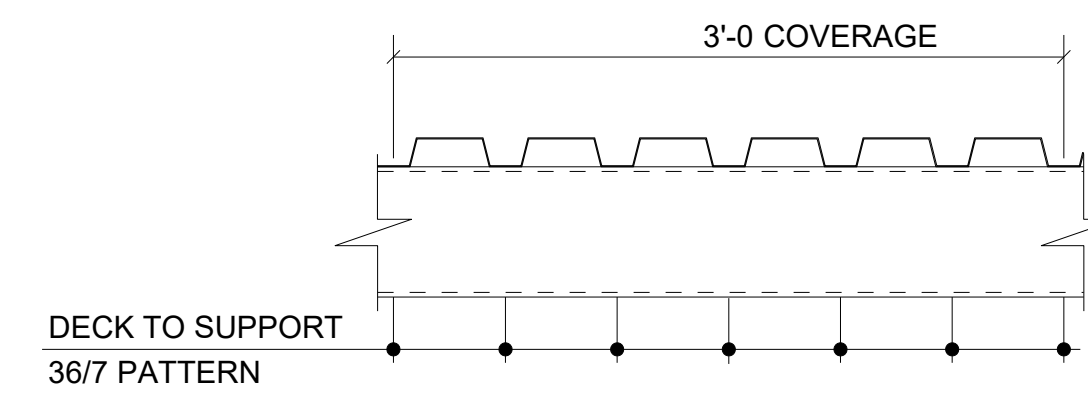


STAGE ROOF DECK FRAMING PLAN



A - A



NOTES -

- SUPPORT CONNECTION SHALL BE HILTI X-HSN 24 CONNECTORS
- SIDLAP CONNECTORS SHALL BE:
  - 1.5B18: MINIMUM 8 SIDLAP CONNECTIONS PER SPAN EQUALLY SPACED
  - S-SLC 01 M HWH SIDLAP CONNECTORS.
- MIN BEARING = 1.5" AT EDGE OF DECK. FASTENERS AT 12" OC MAX ON EDGE OF DECK.
- MIN INTERIOR BEARING LENGTH = 3"
- ICC-ESR 1227
- HILTI PINS AS AN ALTERNATE

TYPICAL METAL DECK CONNECTION

BILL OF MATERIAL (DECK SHEETS)				
SR. NO.	BUNDLE #	QTY	LENGTH	TYPE
1	BUNDLE #1	4	5'-2"	1.5"B18 METAL DECK WITH LIGHT GAUGE STANDING SEEM DECK ON TOP
2	BUNDLE #2	4	5'-2"	
3	BUNDLE #3	4	5'-2"	
4	BUNDLE #4	4	5'-2"	
5	BUNDLE #5	4	5'-2"	
6	BUNDLE #6	6	5'-2"	
7	BUNDLE #7	4	20'-3"	
8	BUNDLE #8	4	20'-3"	
9	BUNDLE #9	4	20'-3"	
10	BUNDLE #10	4	20'-3"	
11	BUNDLE #11	4	20'-3"	
12	BUNDLE #12	6	20'-3"	
13	BUNDLE #13	4	21'-3 1/16"	
14	BUNDLE #15	4	21'-3 1/16"	
15	BUNDLE #16	4	21'-3 1/16"	
16	BUNDLE #17	4	21'-3 1/16"	
17	BUNDLE #18	4	21'-3 1/16"	
18	BUNDLE #19	6	21'-3 1/16"	
19	CELL CLOSURE	39	10'-0"	

GENERAL NOTES -

- ALL METAL ROOF DECKS SHALL BE DESIGNED AND CONSTRUCTED IN ACCORDANCE WITH CBC CHAPTER 22 SECTION 2210.1.1 - COLD-FORMED STEEL AND THE STEEL DECK INSTITUTE SPECIFICATIONS AND RECOMMENDATIONS, LATEST CODE ADOPTED EDITION UNO.
- MINIMUM REQUIREMENTS FOR ROOF DECK FASTENING SHALL BE 5/8" DIA PUDDLE WELDS USING THE WELD PATTERN SHOWN ON THE DRAWINGS AND #10 TEK SCREW SIDLAP FASTENERS PER FASTENING DETAILS SHOWN ON THE DRAWINGS OR PRE-APPROVED EQUAL.
- METAL ROOF DECK SHALL BE PRIMED AND PANTED AT BOTTOM AND LAID OUT FOR THREE SPANS IF POSSIBLE. DECK FASTENING SHALL BE PER SDI AND MANUFACTURER'S RECOMMENDATIONS BUT NOT LESS THAN THAT SHOWN ON THE DRAWINGS.
- ALL METAL DECK FINISH SHALL BE NAVY BLUE. COLOR AND COATING MATERIALS TO BE COORDINATED WITH AND APPROVED BY OWNER.

- DENOTES START DECKING POINT
- INDICATES SPAN

FIELD CUT PANEL AS REQUIRED

GC TO VERIFY ALL CLOUDED DIMENSIONS & CONDITIONS.

DECK DETAILING SAMPLE - 4

REVISIONS			ITEM
NO	DESCRIPTION	DATE	JOB
			ARCH
			CONTR
	DWN : VHS	DATE:	CHK'D: VHS
	JOB NO.		DWG NO.