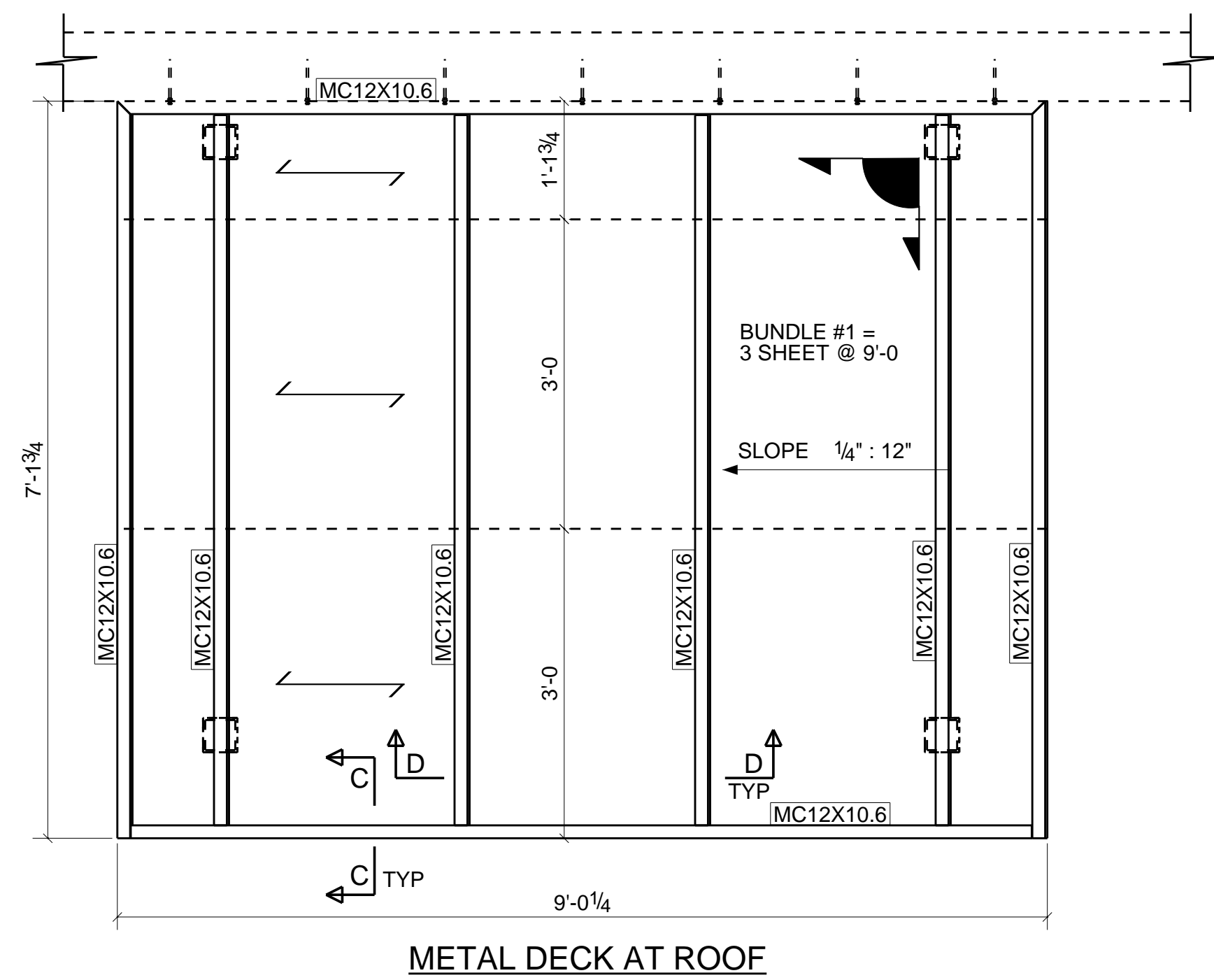
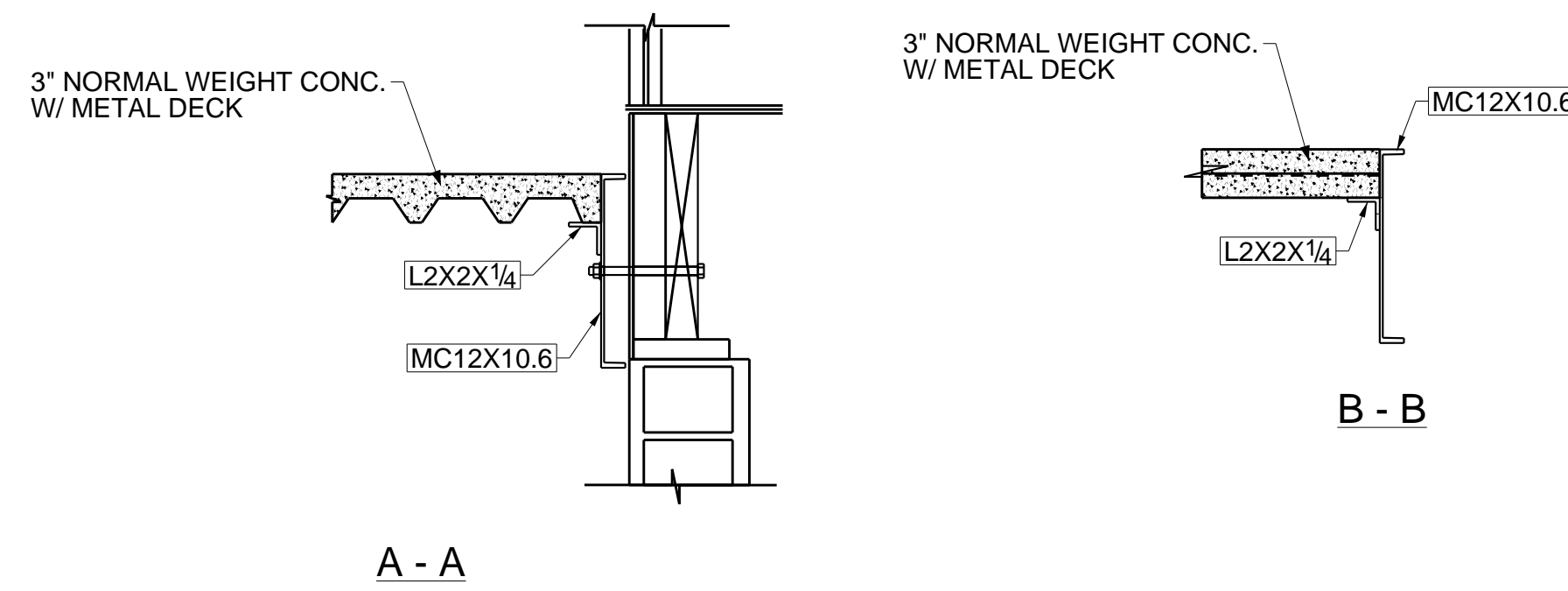
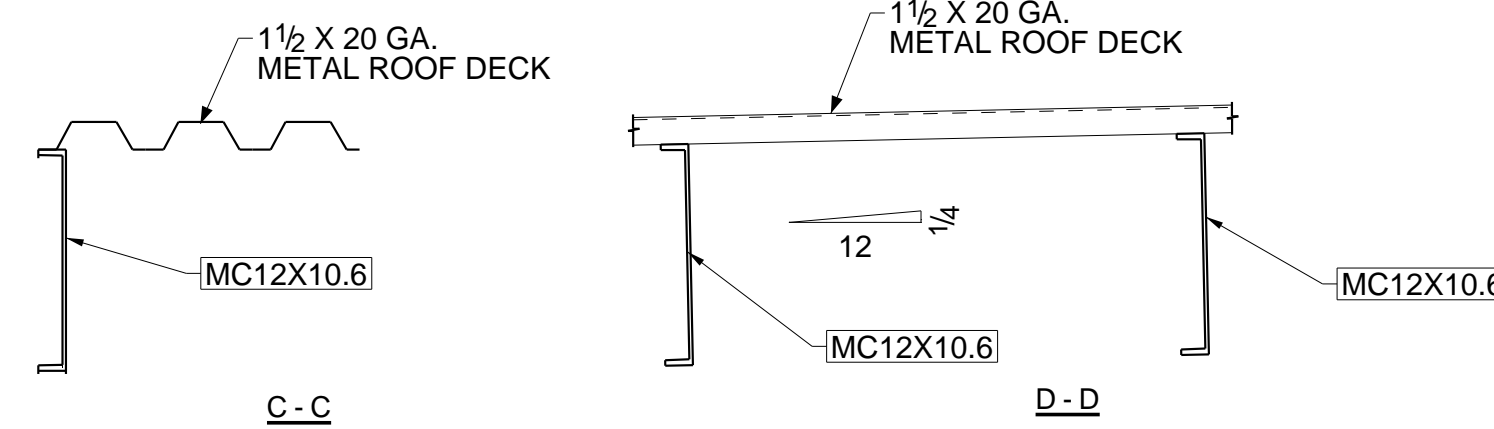


METAL DECK AT STAIR LANDING



METAL DECK AT ROOF



BILL OF MATERIAL (STAIR LANDING DECK SHEETS)

SR. NO.	BUNDLE #	QTY.	LENGTH	TYPE
1	BUNDLE #1	1	7'-4	
2	BUNDLE #2	2	7'-4	
3	BUNDLE #3	2	3'-8	

BILL OF MATERIAL (ROOF DECK SHEETS)

SR. NO.	BUNDLE #	QTY.	LENGTH	TYPE
1	BUNDLE #1	3	9'-0	

GENERAL NOTES -

- SPAN OF METAL STAIR LANDING DECK - USE 1 1/2 X 20 GA. COMPOSITE MWTL DECK.
SPAN OF METAL ROOF DECK - USE 20 GAGE METAL ROOF DECK , 1" 1/2

- PERPENDICULAR BEARINGS : 4-WELDS PER SHEET PER SUPPORT.
- PARALLEL BEARING AND EDGES : AT 12" O.C.

SEAMS : BUTTON PUNCH SIDE SEAMS AT 12" O.C.

- DENOTES START DECKING POINT
- INDICATES SPAN

FIELD CUT PANEL AS REQUIRED

DECK DETAILING SAMPLE - 5

REVISIONS			ITEM :		SCOPE :	
NO	DESCRIPTION	DATE	JOB			
			ARCH			
			CONTR			
			DWN : VHS			DATE:
			JOB NO.			DE1